

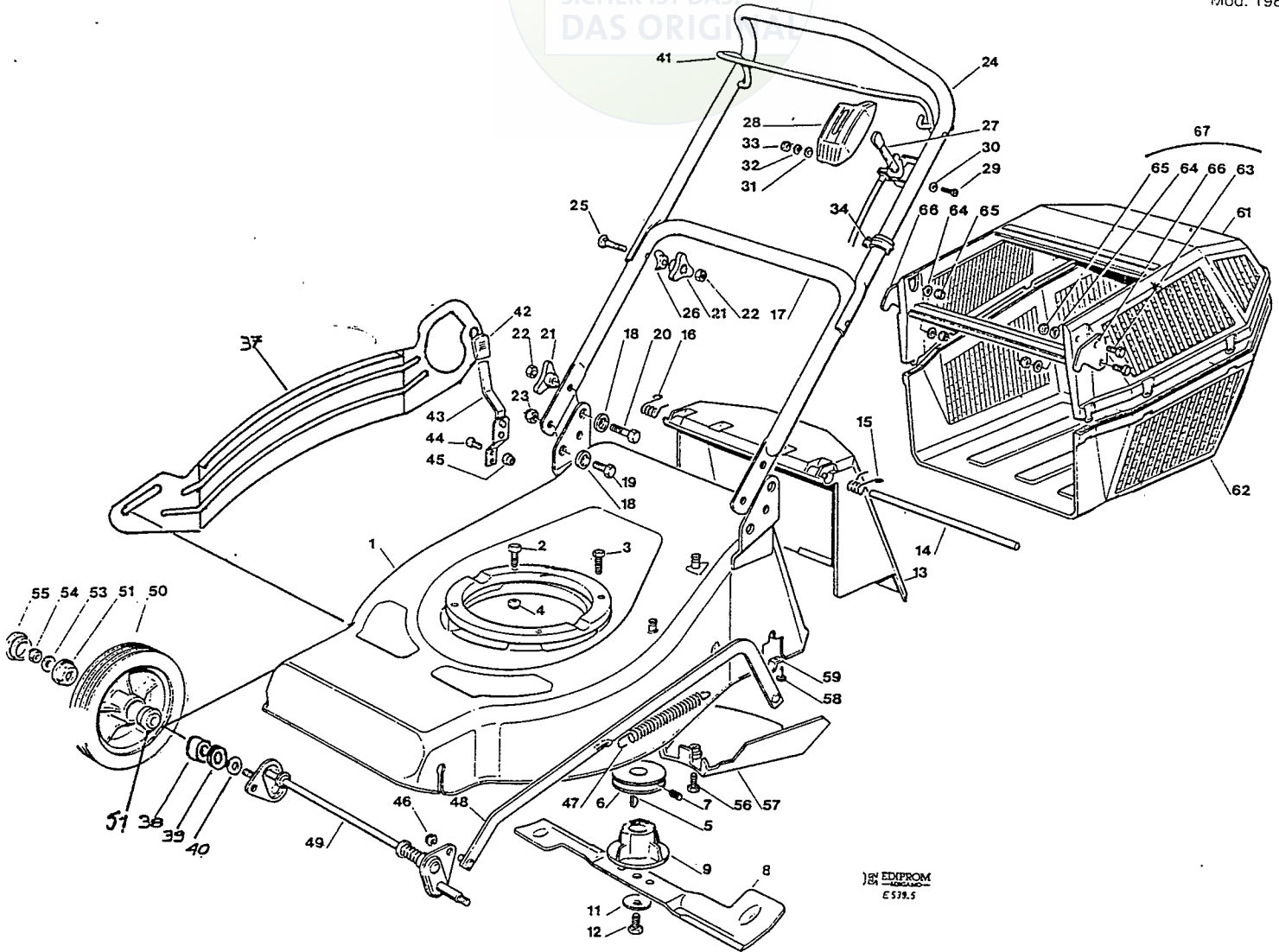


Le Club®

VISTE ESPLOSE
EXPLODED VIEWS
VUES ECLATEES
SPRENGZEICHNUNGEN

CL 484 TR

Mod. 1989



EDIPROM
E 538.5

Pos. Nr.	Codice Kodex Code	Descrizione	Description	Description	Beschreibung	Q.tà Q.ty Q.tè Menge
1.	81001065/0	CHASSIS GIALLO	YELLOW DECK	CHASSIS JOUNE	GEHÄUSE GELB	1
2	12793700/0	VITE	SCREW	VIS	SCHRAUBE	2
3	12793900/0	VITE	SCREW	VIS	SCHRAUBE	1
4	12293201/0	DADO	NUT	ECROU	MUTTER	3
5	12139100/0	LINGUETTA	KEY	CLAVETTE	KEIL	1
6	22601900/0	PULEGGIA	PULLEY	POULIE	RIEMENSCHIEBE	1
7	12713801/0	GRANO	DOWEL	GRAIN	STIFT	1
8.	81004397/0	COLTELLO ALETT.	WINGS BLADE	LAME À AILETTES	FLÜGEL MESSER	1
9	22463255/1	MOZZO (PP 80)	HUB P.T.O. 80)	MOYEU (P.F. 80)	HALTER (M/W 80)	1



Pos. Nr.	Codice Kodex Code	Descrizione	Description	Description	Beschreibung	Q.tà Q.ty Q.tè Menge
11	22160400/0	DISCO ELASTICO	ELASTIC WASHER	RONDELLE ELASTIQUE	STIFT	1
11A	12523080/0	RONDELLA	WASHER	RONDELLE	SCHEIBE	1
12	12735694/0	VITE (P.P. 80)	SCREW (P.T.O. 80)	VIS (P.F. 80)	SCHRAUBE (MW 80)	1
13	22600025/0	PARASSASSI	STONE GUARD	PARE-PIERRES	PRALLBLECH	1
14	22517906/0	PERNO	PIN	PIVOT	BOLZEN	1
15	22450900/0	MOLLA SX	L. SPRING	RESSORT G.	L. FEDER	1
16	22450400/0	MOLLA DX	W. SPRING	RESSORT D.	R. FEDER	1
17	81006512/0	PARTE INF. MANICO	LOWER HANDLE	PARTIE INF. MANCHERON	UNTERHOLM	1
18	22041955/0	BUSSOLA	BUSH	DOUILLE	BUCHSE	4
19	12792610/0	VITE	SCREW	VIS	SCHRAUBE	2
20	12793700/0	VITE	SCREW	VIS	SCHRAUBE	2
21	22399900/0	MANOPOLINA	KNOB	POIGNÉE	GRIFF	4
22	12293200/0	DADO	NUT	ECROU	MUTTER	4
23	12155000/0	DADO	NUT	ECROU	MUTTER	4
24	81006907/0	PARTE SUP. MANICO	UPPER HANDLE	PARTIE SUP. MANCHERON	ÖBERHOLM	2
25	12819 01/0	VITE	SCREW	VIS	SCHRAUBE	2
26	22680006/1	RONDELLA	WASHER	GROWER	SCHEIBE	2
27	81007048/0	ASS. ACC. UNIVERSALE	THROTTLE	ENS. ACCELERATEUR	UNIVERSELL-GASZUG	1
28	22120142/0	CRUSCOTTO	DASH BOARD	CONSOLE	KONSOLE	1
29	12791400/0	VITE	SCREW	VIS	SCHRAUBE	2
30	12523040	RONDELLA	WASHER	GROWER	SCHEIBE	2
31	12521330/0	RONDELLA	WASHER	GROWER	SCHEIBE	2
32	12582100/0	GROWER	GROWER	GROWER	MUTTER	2
33	12292100/0	DADO	NUT	ECROU	MUTTER	2
34	22192000/0	FASCETTA ANCORAGGIO	ANCHOR CLAMP	BANDE ANCRAGE	BOWDENZUGHALTER	2
37	81001001/0	PROTEZIONE DX	DX SIDE PROTECTION	PROTECTION DX	SEITLICHER SCHUTZ RECHTE	1
38	22170400/0	DISTANZIALE	SPACER	ENTRETOISE	ENTFERNUNGSSTK	2
39	22170300/0	DISTANZIALE	SPACER	ENTRETOISE	ENTFERNUNGSSTK	2
40	12530150/0	RONDELLA ELASTICA	ELASTIC WASHER	RONDELLE ELASTIQUE	ELASTISCHE SCHEIBE	2
41	81001218/1	LEVA TRAZIONE	DRIVING LEVER	LEVIER TRACTION	ANTRIEBSHEBEL	1
42	22397000/0	MANOPOLA	KNOB	POIGNEE	GRIFF	1
43	81003279/0	LEVA	LEVIER	LEVIER	HEBEL	1
44	12788880/0	VITE	SCREW	VIS	SCHRAUBE	2
45	12154320/0	DADO	NUT	ECROU	MUTTER	2
46	12436050/0	PIASTRINA PER AST	PLATE	PLAQUETTE	PLAETTCHEN	2
47	22446180/0	MOLLA	SPRING	RESSORT	FEDER	1
48	81001246/0	ASTA	ROD	TIGE	STANGE	1
49	81001260/0	ASSE RUOTE ANT.	FRONT WHEELS AXLE	AXE ROUE ANTERIEURE	VORDERRAEDER ACHSE	1
50	81007242/0	RUOTA BIANCA Ø 170	WHITE Ø 170 WHEEL	RPUE BLANCHE Ø 170	RAD WEISS Ø 170	2
51	22122200/0	CUŠCINETTO	BEARING	COUSSINET	KUGELLAGER	4
53	12521350/0	RONDELLA	WASHER	RONDELLE	SCHEIBE	2
54	12155010/0	DADO	NUT	ECROU	MUTTER	2
55	22110275/0	COPRIMOZZO	HUB CAP	COUVRE-MOYEU	RADKAPPE	2
56	12727791/0	VITE	SCREW	VIS	SCHRAUBE	1
57	22060180/0	CARTER	DECK	CHASSIS	GEHÄUSE	1
58	12788910/0	VITE	SCREW	VIS	SCHRAUBE	4
59	22545152/0	PIASTRINA	PLATE	PLAQUETTE	PLATTE	2
61	22486061/0	PARTE SUP. SACCO	UPPER HANDLE	PARTIE SUP. BAC	OBERHOLM	1
62	22486060/0	PARTE INF. SACCO	LOWER HANDLE	PARTIE INF. BAC	UNTERHOLM	1
63	12788880/0	VITE	SCREW	VIS	SCHRAUBE	4
64	12521540/0	RONDELLA	WASHER	GROWER	SCHEIBE	4
65	12154330/0	DADO	NUT	ECROU	MUTTER	4
66	22775170/0	SUPPORTO AGGANCI	COUPLING SUPPORT	SUPPORT ACCROCHAGE	KUPPLUNGSHALTER	2
67	9800500/0	SACCO COMPLETO	COMPLETE GRASSBOX	BAC COMPLETE	KOMPLETT KORB	1
-	81008575/0	DOTAZIONE SACCO	GRASS BOX OUTFIT	DOTATION BAC	KORBAUSSTATTUNG	1
-	81008564/0	DOTAZIONE VITERIA	SCREWS OUTFIT	DOTATION VISSERIE	SCHRAUBEN SATZ	1

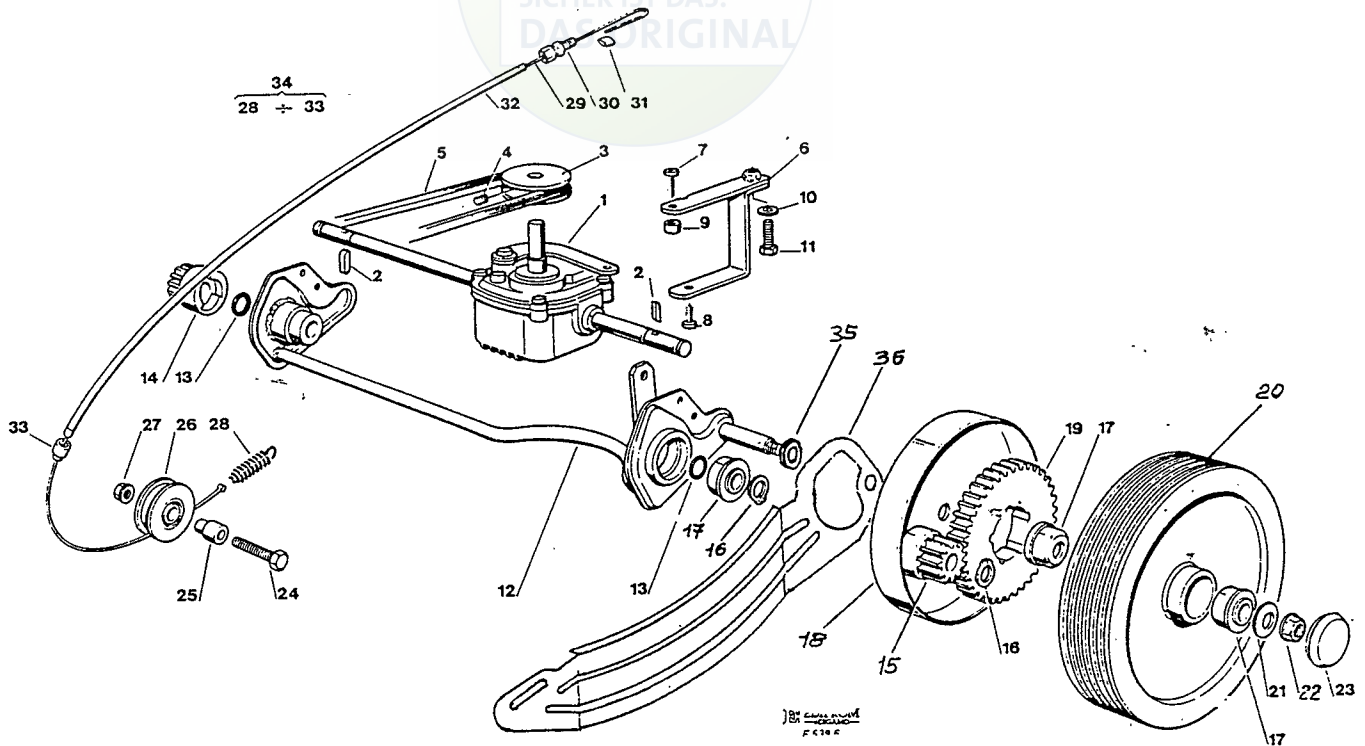


Le Club®

VISTE ESPLOSE
EXPLODED VIEWS
VUES ECLATEES
SPRENGZEICHNUNGEN

CL 484 TR

002



Pos. Nr.	Codice Kodex Code	Descrizione	Description	Description	Beschreibung	Q.tà Q.ty Q.tè Menge
1	18652020/0	GRUPPO TRAZIONE	REAR DRIVE UNIT	GROUPE TRACTION	RIEMEN	1
2	22328600/1	LINGUETTA DI TRASCINAMENTO	DRIVING KEY	CLAVETTE	MITNEHMERLAPPEN	2
3	22601900/0	PULEGGIA	PULLEY	POULIE	RIEMENSCHIEBE	1
4	12714302/0	GRANO	DOWEL	VIS SANS TETE	STIFT	1
5	35063800/0	CINGHIA Z 27	BELT Z 27	COURROIE Z 27	RIEMEN Z 27	1
6	81000959/0	SUPPORTO TRAZIONE	SUPPORT	SUPPORT	ANTRIEGHALTER	1
7	12728505/0	VITE	SCREW	VIS	SCHRAUBE	1
8	12728630/0	VITE	SCREW	VIS	SCHRAUBE	1
9	22170600/0	DISTANZIALE	SPACER	ENTRETOISE	ENTFERNUNGSSTK	1
10	12523060/0	RONDELLA	WASHER	ECROU	SCHEIBE	1
11	12793850/0	VITE	SCREW	VIS	SCHRAUBE	1
12	81001252/0	ASSE RUOTE POST.	REAR WHEELS AXLE	AXE ROUES ARR.	HINTERRAEDER ACHSE	1
13	12019900/0	ANELLO OR	OR RING	BAGUE OR	RING	2
14	22570110/0	PIGNONE DX	RIGHT PINION	PIGNON DROITE	L. RITZEL	1
15	22570120/0	PIGNONE SX	LEFT PINION	PIGNON GAUCGE	R. RITZEL	1
16	12608600/0	SEEGER	SEEGER	SEEGER	SEEGER	4
17	22122200/0	CUSCINETTO	BEARING	ROULEMENT	KUEGELLAGER	6
18	81006846/0	PROTEZIONE RUOTE	WHEEL GUARD	PROTECTION ROUE	RAEDERSCHUTZ	2
19	22120105/0	CORONA	RING GEAR	CUORONNE	KRANZ	2
20	81007234/1	RUOTA BIANCA Ø 210	WHEEL Ø 210 WHITE	ROUE Ø 210 BLANCHE	RAD Ø 210 WEIB	2
21	12369500/0	RONDELLA	WASHER	RONDELLE	SCHEIBE	2
22	12155010/0	DADO	NUT	ECROU	MUTTER	2
23	22110275/0	COPRIMOZZO	HUB COVER	COUVRE MOYEU	RADKAPPE	2
24	12691100/0	VITE	SCREW	VIS	SCHRAUBE	1
25	22170920/0	DISTANZIALE	SPACER	ENTRETOISE	ENTFERNUNGSSTK.	1
26	81003375/0	ASS. RUOTINO	ROLLER UNIT	ENS. ROULEMENT	KUEGELLAGER	1
27	12293201/0	DADO	NUT	ECROU	MUTTER	1
28	22450800/0	MOLLA	SPRING	RESSORT	FEDER	1
29	22206041/1	FILO BOWDEN	BOWDEN WIRE	FIL BOWDEN	BOWDEN KABEL	1
30	22604052/0	REGISTRO	ADJUSTER	ECROU REGISTRE	SCHRAUBENMUTTER	1
31	15407030/0	FASCETTA	CLIP	BANDE	KABELBAND	1
32	22265320/0	GUAINA BOWDEN	BOWDEN SHEAT	GAINE BOWDEN	BOWDENKABEL ABDECKUNG	1
33	13120101/0	BUSSOLA	BUSH	DOUILLE	MUELSE	1
34	81001083/0	ASS. COMANDO TRAZIONE	REAR DRIVE UNIT	ENS. GROUPE TRACTION	ANTRIEB	1
35	22170930/0	DISTANZIALE	SPACER	ENTRETOISE	ENTFERNUNGSSTK	2
36	81001003/0	PROTEZIONE SX.	SX SIDE PROTECTION	PROTECTION DX	SEITLICHER SCHUTZ LINK	1